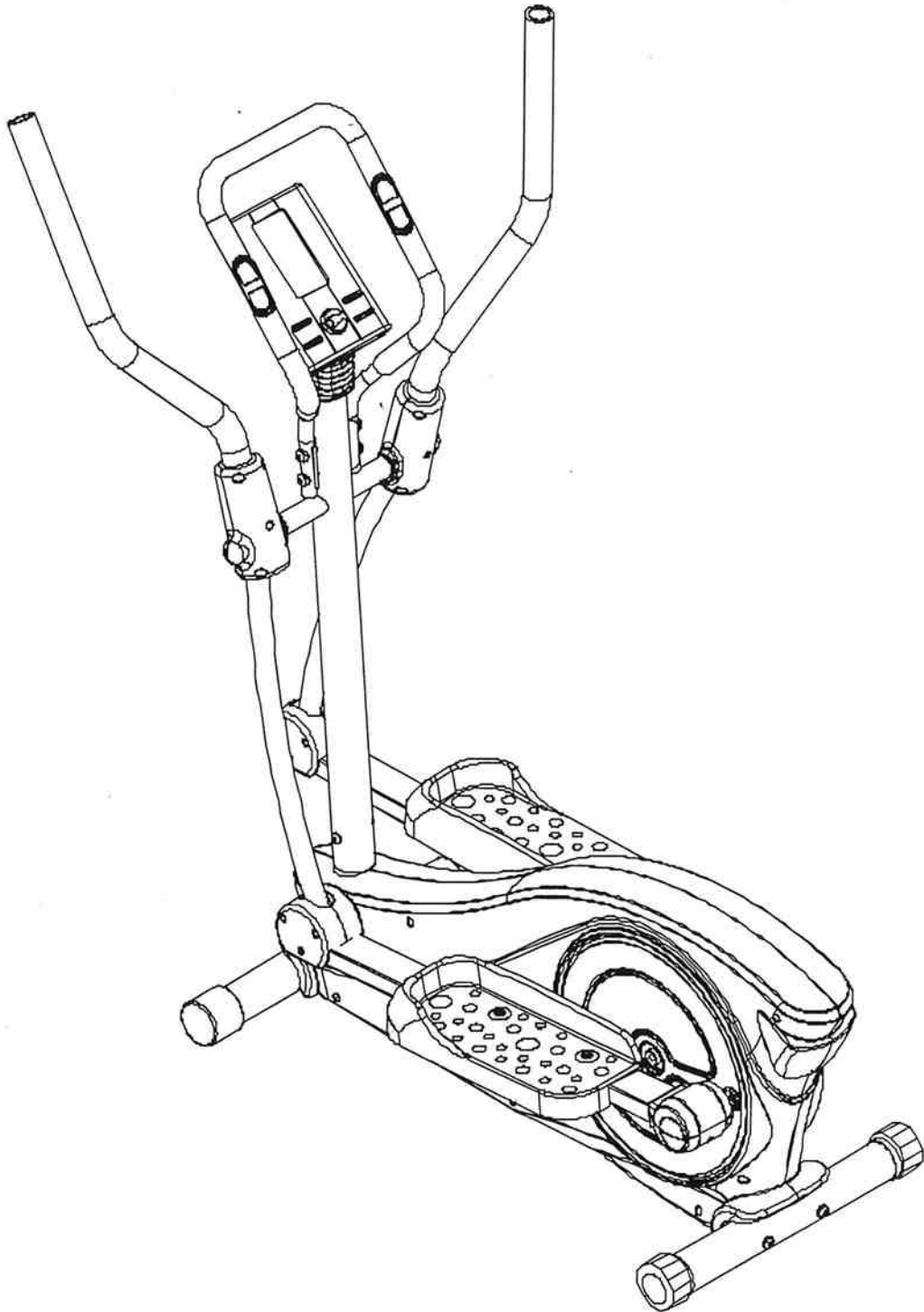


# infiniti

## CR2007 Magnetic Exercycle



### USER MANUAL

**This exerciser has been designed for home use only. Professional use, commercial or use in gym centers, will automatically cancel the manufacturers' and/or importers' product liability.**

## **Safety Instructions**

Before you start training on your exerciser, please read the instructions carefully.

Be sure to keep the instructions for information, in case of repair and for spare part delivery.

- This exerciser is made for home use only and tested up to a max body weight of 150 kg.
- Follow the steps of the assembly instructions carefully.
- Use only original parts as delivered.
- Before the assembly, be sure to check if delivery is complete by using the included parts-list.
- For assembly use only suitable tools and asks for assistance with assembly if necessary.
- Place the exerciser on an even, non-slippery surface. Because of possible corrosion, the usage of any exerciser in moist areas is not recommended.
- Check before the first training and every 1-2 months that all connecting elements are tight fitting and are in the correct condition.

Replace defective components immediately and/or keep the equipment out of use until repair. For repairs, use only original spare parts.

- In case of repair please ask your dealer for advice
- Avoid the use of aggressive detergents when cleaning.
- Ensure that training starts only after correct assembly and inspection.
- For all adjustable parts be aware of the maximum positions to which they can be adjusted/tightened to.
- This exerciser is designed for adults. Please ensure that children use the exerciser only under the supervision of an adult.
- Ensure that those present are aware of possible hazards, e. g. movable parts during training.

Warning: incorrect/excessive training can cause health injuries.

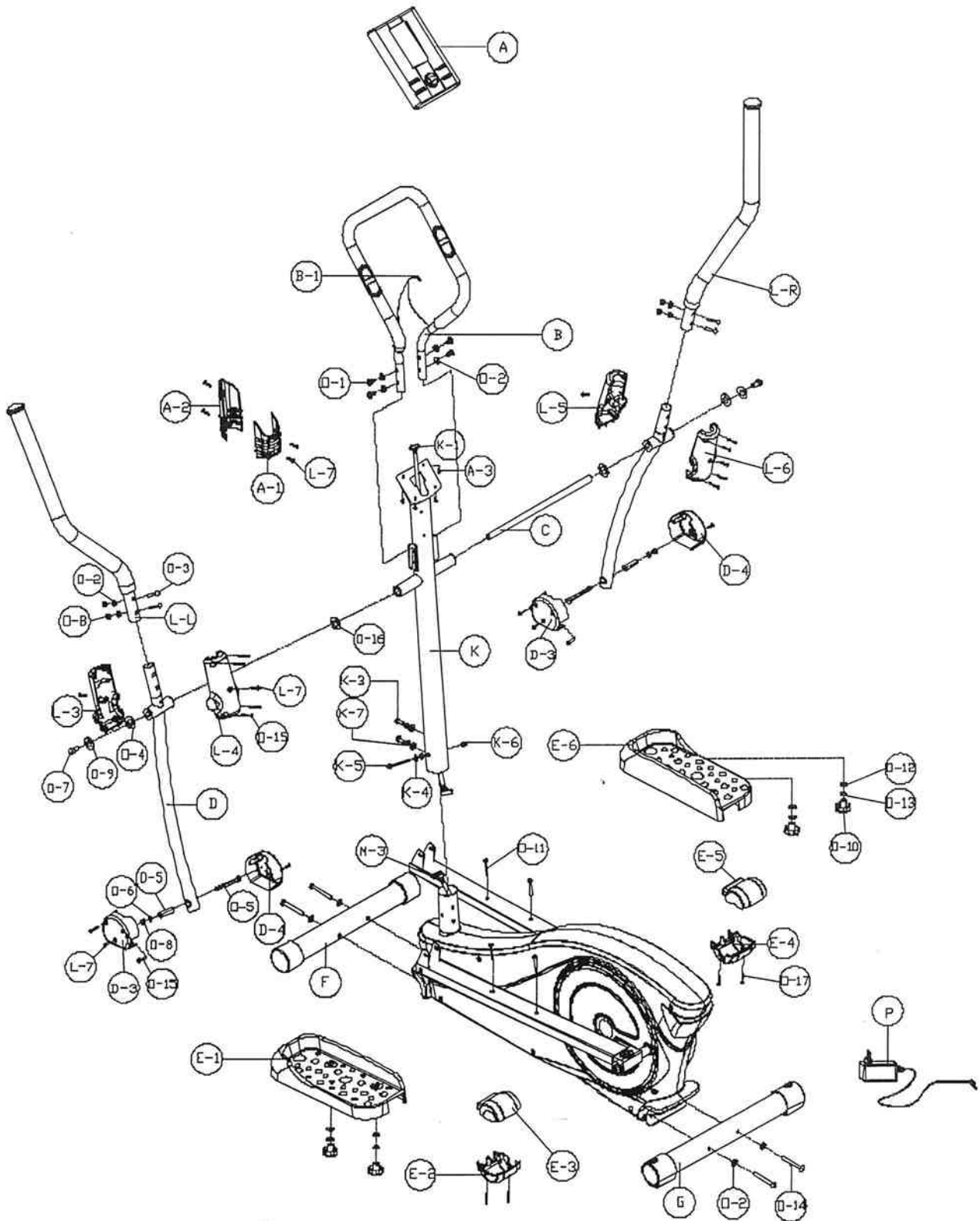
- Please follow the advice for correct training as detailed in training instructions.
- Users' limit 190 cm.

**Consult your physician before starting with any exercise program. He can advise on the kind of training and which impact is suitable.**

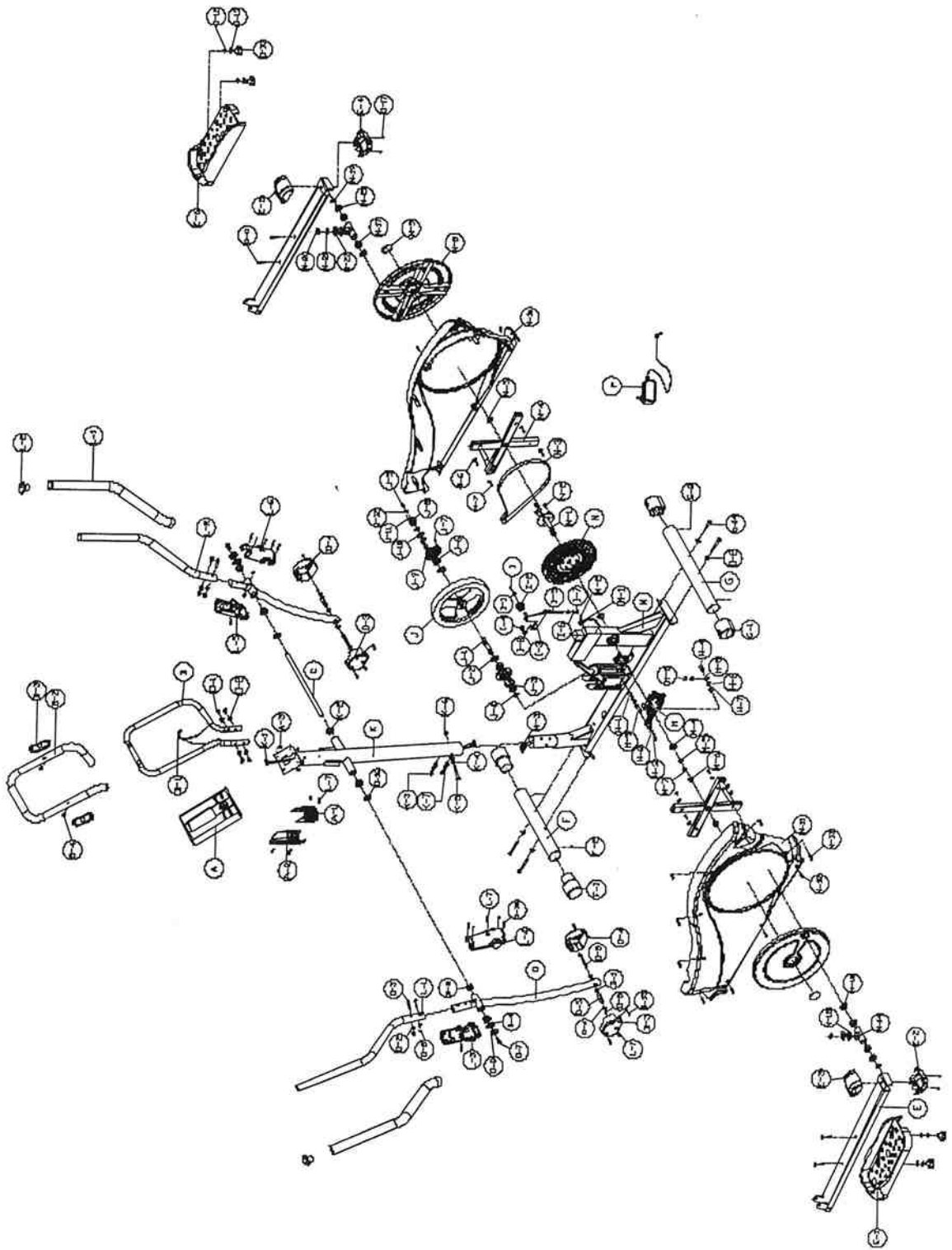
- The owner' s manual is only for customers' reference.
- The supplier can not guarantee for mistakes occurring due to translation or change in technical specification of the product.

All data displayed are approximate guidance and cannot be used in any medical application.

# EXPLODED DIAGRAM



# EXPLODED DIAGRAM



## PART LIST

No.	Description	Q' ty
A	COMPUTER – SM8811	1PCS
A-1	HANDLEBAR COVER – FRONT	1PCS
A-2	HANDLEBAR COVER – REAR	1PCS
A-3	SCREW FOR FIXING COMPUTER	4PCS
B	FRONT HANDLEBAR	1PCS
B-1	CONNECTING WIRE FOR PULSE	1PCS
B-2	FOAM GRIP	1PCS
B-3	HANDPULSE	2SET
B-4	SCREWS FOR FIXING HAND PULSE	2PCS
C	AXLE FOR HANDLEBAR POST	1PCS
D	LOWER HANDLEBAR – LEFT AND RIGHT	2PCS
D-1	BUSHING FOR LOWE HANDLEBAR ( LOWER)	4PCS
D-2	BUSHING FOR LOWE HANDLEBAR ( UPPER)	4PCS
D-3	FRONT COVER FOR PEDAL ARM – LEFT	2PCS
D-4	FRONT COVER FOR PEDAL ARM – RIGHT	2PCS
D-5	IRON BUSHING FOR LOWER HANDLEBAR	2PCS
E	PEDAL ARM	2PCS
E-1	LEFT PEDAL	1PCS
E-2	LEFT REAR COVER FOR PEDAL ARM – LOWER	1PCS
E-3	LEFT REAR COVER FOR PEDAL ARM – UPPER	1PCS
E-4	RIGHT REAR COVER FOR PEDAL ARM – LOWER	1PCS
E-5	RIGHT REAR COVER FOR PEDAL ARM – UPPER	1PCS
E-6	RIGHT PEDAL	1PCS
F	FRONT STABLIZER	1PCS
F-1	TRANSPORTATION WHEEL	2PCS
F-2	SCREW FOR FIXING WHEEL	2PCS
G	REAR STABLIZER	1PCS
G-1	END CAP	2PCS
G-2	SCREW FOR FIXING END CAP	2PCS
H	GEAR BOX ASSEMBLING	1PCS
H-1	HEXAGAONAL SCREW	2PCS
H-2	FLAT WASHER	2PCS
H-3	SPRING WASHER	2PCS
H-4	SCREW FOR FIXING BEAR BOX ASSEMBLING	1PCS
H-5	ADJUSTOR	1PCS
H-6	BUSHING	1PCS
H-7	FLAT WASHER	1PCS

H-8	HEXAGONAL NUT	2PCS
H-9	SHAFT FOR MAGNETIC SET	1PCS
I	SCREWS	1PCS
I-1	BUSHING	1PCS
I-2	IDLER WHEEL	1PCS
I-3	SHAFT FOR IDLER WHEEL	1PCS
I-4	SCREWS	1PCS
I-5	SCREWS	1PCS
I-6	FLAT WASHER	2PCS
I-7	NYLON NUT	1PCS
I-8	FLAT WASHER	1PCS
J	FLYWHEEL	1PCS
J-1	AXLE FOR FLYWHEEL	1PCS
J-2	PLASTIC WASHER	2PCS
J-3	WAVE WASHER	2PCS
J-4	C TYPE RING	2PCS
J-5	HEXAGONAL SCREWS	1PCS
J-6	BEARING	2PCS
J-7	SCREWS	6PCS
J-8	SMALL PULLEY	1PCS
J-9	COVER FOR FLYWHEEL	2PCS
J-10	FLAT WASHER	2PCS
J-11	SMALL PIN	1PCS
J-12	FLAT WASHER	1PCS
K	HANDLEBAR POST	1PCS
K-1	UPPER CABLE	1PCS
K-2	IRON BUSHING	2PCS
K-3	SCREWS	2PCS
K-4	SEMI WASHER	3PCS
K-5	SCREWS	1PCS
K-6	DOME NUT	1PCS
K-7	SPRING WASHER	3PCS
L-L	UPPER HANDLEBAR – LEFT	1PCS
L-R	UPPER HANDLEBAR – RIGHT	1PCS
L-1	FORM GRIP	2PCS
L-2	CAP FOR FORM GRIP	2PCS
L-3	FRONT COVER FOR UPPER HANDLEBAR – LEFT	1PCS
L-4	REAR COVER FOR UPPER HANDLEBAR – LEFT	1PCS
L-5	FRONT COVER FOR UPPER HANDLEBAR – RIGHT	1PCS

L-6	REAR COVER FOR UPPER HANDLEBAR - RIGHT	1PCS
L-7	SCREWS	12PCS
M	MAINFRAM	1PCS
M-1	SENSOR BOX	1PCS
M-2	SCRWE FOR FIXING SENSOR BOX	1PCS
M-3	LOWER CABLE	1PCS
M-4	BEARING	2PCS
M-5	WAVE WASHER	1PCS
M-6	C TYPE RING	1PCS
M-7	FLAT WASHER	1PCS
N	BIG PULLEY	1PCS
N-1	AXLE ASSEMBLING	1PCS
N-2	HEXAGONAL SCREWS	3PCS
N-3	DRIVING BELT	1PCS
N-4	CROSS	2PCS
N-5	NUT	2PCS
N-6	FLAT WASHER	8PCS
N-7	SCREWS	8PCS
N-8	DISC	2PCS
N-9	CAP FOR DISC	2PCS
N-10	CHAIN COVER – RIGHT	1PCS
N-11	CHAIN COVER – LEFT	1PCS
N-12	SCREWS FOR FIXING COVER	8PCS
N-13	SCREWS FOR FIXING COVER	5PCS
N-14	CONNECTING SOCKET	2PCS
N-15	FLAT WASHER	4PCS
N-16	WAVE WASHER	2PCS
N-17	BUSHING	4PCS
N-18	WASHER	2PCS
N-19	C TYPE RING	2PCS
N-20	NYLON NUT	2PCS
N-21	SPRING WASHER	2PCS
N-22	FLATE WASHER	2PCS
O-1	SCREWS	4PCS
O-2	SEMI WASHER	12PCS
O-3	CARRIAGE BOLT	4PCS
O-4	PLASTIC WASHER	2PCS
O-5	SCREWS	2PCS
O-6	FLAT WASHER	2PCS

O-7	SCREWS	2PCS
O-8	NYLON NUT	6PCS
O-9	FLAT WASHER	2PCS
O-10	KNOB FOR PEDAL ARM	4PCS
O-11	CARRIAGE BOLT	4PCS
O-12	FLAT WASHER	4PCS
O-13	SPRING WASHER	4PCS
O-14	SCREWS	4PCS
O-15	SCREWS	12PCS
O-16	WAVE WASHER	2PCS
O-17	SCREWS	4PCS
P	AC ADAPTOR	1PCS